

**OPTICON**

# OPN-2005



This manual provides specifications for the OPN-2005 ultra compact data collector.

**Specifications Manual**

All information subject to change without notice.

## Document History

Model Number:	<b>OPN-2005</b>	Specification Number:	<b>P1203080</b>
Edition:	<b>1st</b>	Original Spec Number:	-
Date:	<b>2012-11-28</b>		

## Copyright 2010 Opticon. All rights reserved.

This manual may not, in whole or in part, be copied, photocopied, reproduced, translated or converted to any electronic or machine readable form without prior written consent of Opticon.

## Limited Warranty and Disclaimers

### PLEASE READ THIS MANUAL CAREFULLY BEFORE INSTALLING OR USING THE PRODUCT.

## Serial Number

A serial number appears on all Opticon products. This official registration number is directly related to the device purchased. Do not remove the serial number from your Opticon device. Removing the serial number voids the warranty.

## Warranty

Unless otherwise agreed in a written contract, all Opticon products are warranted against defects in materials and workmanship for two years after purchase. Opticon will repair or, at its option, replace products that are defective in materials or workmanship with proper use during the warranty period. Opticon is not liable for damages caused by modifications made by a customer. In such cases, standard repair charges will apply. If a product is returned under warranty and no defect is found, standard repair charges will apply. Opticon assumes no liability for any direct, indirect, consequential or incidental damages arising out of use or inability to use both the hardware and software, even if Opticon has been informed about the possibility of such damages.

## Packaging

The packing materials are recyclable. We recommend that you save all packing material to use should you need to transport your scanner or send it for service. Damage caused by improper packaging during shipment is not covered by the warranty.

## Trademarks

Trademarks used are the property of their respective owners.

Opticon Inc. and Opticon Sensors Europe B.V. are wholly owned subsidiaries of OPTOELECTRONICS Co., Ltd., 12-17, Tsukagoshi 4-chome, Warabi-shi, Saitama, Japan 335-0002. TEL +81-(0) 48-446-1183; FAX +81-(0) 48-446-1184

---

## SUPPORT

### USA

Phone: **800-636-0090**

Email: [support@opticonusa.com](mailto:support@opticonusa.com)

Web: [www.opticonusa.com](http://www.opticonusa.com)

### Europe

Email: [support@opticon.com](mailto:support@opticon.com)

Web: [www.opticon.com](http://www.opticon.com)

---

**Revision History**

Specification No. : P1203080  
Product name : OPN-2005

Edition	Date	Page	Section	Description of Changes
First	2012/11/28	-	-	Initial release

## Contents

<b>1. Abstract</b> .....	<b>6</b>
<b>2. Overview</b> .....	<b>6</b>
2.1. Product / Model Name .....	6
2.2. Features .....	6
<b>3. Basic Specifications</b> .....	<b>7</b>
<b>4. Detailed View</b> .....	<b>9</b>
<b>5. Optical Specifications</b> .....	<b>10</b>
5.1. Laser Scanning Specifications .....	10
5.2. Laser Scanning Standards .....	10
5.2.1. Laser Scanning Tilt.....	10
5.2.2. Laser Scanning Curvature.....	10
<b>6. Technical Specifications Barcode Scanner</b> .....	<b>11</b>
6.1. Print Contrast Signal (PCS).....	11
6.2. Minimum Resolution .....	11
6.3. Supported symbologies:.....	11
6.4. Scan Area and Depth of Field .....	12
6.5. Pitch, Skew, and Tilt.....	13
6.6. Curvature .....	14
<b>7. Interface Specifications</b> .....	<b>16</b>
7.1. USB .....	16
7.1.1. Settings .....	16
7.1.2. Cable.....	16
7.1.3. Connector .....	16
7.1.4. Interface Circuit.....	16
7.2. Bluetooth .....	17
7.2.1 Module .....	17
7.2.2 Specifications .....	17
<b>8. Product Label</b> .....	<b>17</b>
<b>9. Packaging Specifications</b> .....	<b>18</b>
9.1. Individual Packaging Specification .....	18
9.2. Collective Packaging Specification .....	19

**10. Durability..... 21**

10.1. Ambient Light Immunity ..... 21

10.2. Vibration Strength (without packing)..... 21

10.3. Vibration Strength (in individual packing) ..... 21

10.4. Drop Impact Strength (without packaging) ..... 22

10.5. Electrostatic Discharge Immunity ..... 22

10.6. MTBF ..... 22

**11. Regulatory Compliance..... 20**

11.1. Laser Safety ..... 20

11.2. EMC ..... 20

**12. RoHS ..... 20**

**13. Precautions..... 21**

13.1. Precaution against Laser Light ..... 21

13.2. Handling ..... 21

**Appendix 1: Mechanical Drawing..... 22**

**Table of Figures**

*Figure 1: Detailed View ..... 9*

*Figure 2: Laser Scanning Tilt and Curvature ..... 10*

*Figure 3: Scan Range and Depth of Field ..... 12*

*Figure 4: Pitch ..... 13*

*Figure 5: Skew ..... 14*

*Figure 6: Tilt ..... 14*

*Figure 7: Curvature ..... 15*

*Figure 8: USB B connector ..... 16*

*Figure 9: Interface circuit..... 17*

*Figure 10: Product & Laser Caution Label ..... 17*

*Figure 11: Individual Packaging ..... 19*

*Figure 12: Collective Packaging..... 19*

*Figure 13: Drop Test ..... 22*

*Figure 14: Mechanical Drawing..... 22*

## **1. Abstract**

This manual provides specifications for the OPN-2005 ultra compact data collector.

## **2. Overview**

OPN-2005 has a built in compact laser scanner and scanned barcode data output occurs via USB interface or Bluetooth. This product is compliant with RoHS.

### **2.1. Product / Model Name**

OPN-2005

### **2.2. Features**

- The OPN-2005 is handy and simple data collector.
- Its compact, lightweight design makes it easy to take anywhere.
- Data transmission is performed via Bluetooth or a USB interface.
- Power supply is 3.7V, 240 mAh and lithium-ion polymer battery is used.
- The OPN-2005 is charged from a USB interface of the host compute

### 3. Basic Specifications

Item	Specification		Remarks
Control Section	CPU	32 bit	
	Clock	96 MHz	
	FROM	512 Kbyte + 32 Kbyte	
	SRAM	96 Kbyte	
Storage	FROM	1 Mbyte	
Input Section	Key type	2 keys: Trigger, Function	
Indication LED	2 multicolor color LEDs (red, green, orange, blue)		
Buzzer	Volume (3 levels), Adjustable tone		
USB	Mini USB ver 1.1		12 Mbps, USB-COM/USB-HID
RTC (clock)	Supported	Year, month, date, hour, minute, second (accuracy: $\pm 90$ seconds per month)	
Power Supply	Main battery	Lithium polymer 240 mAh	
	Continuous operating time	1000 scans or more	Condition: read twice in 10 secs. at room temp.
Scanner (MSL-2001)	Light-emitting element	Red laser diode	
	Laser wavelength / output	650 $\pm$ 10 nm, up to 1 mW, 25°C	
	Scanning frequency	100 $\pm$ 20 scan / sec	
	Minimum resolution	0.127mm	
	Scanning distance	60 ~ 250mm	Resolution: 1.0 mm PCS 0.9
	Symbology	JAN, EAN, UPC-A, UPC-E, NW-7 (Codabar), Industrial 2 of 5, Code 11, Code 39, Code 93, Code 128, GS1 Data Bar etc.	
Dimensions	62.0 $\times$ 32.0 $\times$ 16.0 (DWH mm)		
Weight	Approx. 29 g		
Environmental Specifications	Operating temperature/humidity	0 ~ 40 °C 20 ~ 85 %RH	No frost, no condensation
	Storage temperature/humidity	-20 ~ 60°C 20 ~ 85%RH	No frost, no condensation
Drop Impact Strength (*1)	Frequency	6 faces, 3 cycles	
	Height	150 cm	
	Floor	Concrete	
Regulatory Compliance	Laser safety: IEC60825-1:2007 CE Marking, FCC		

\*1 : Conditions of drop shock resistance

- Scratches or whitening on plastic surface shall not be counted as a malfunction.
- The product shall work properly after the drop test.



## 4. Detailed View

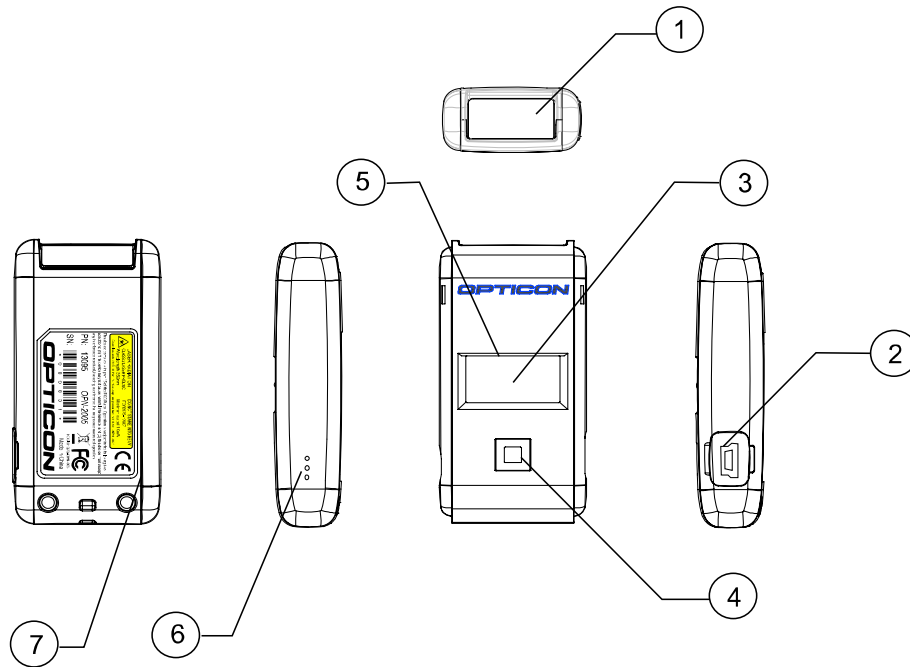


Figure 1: Detailed View

No.	Name	Description
1	Scanning Window	Laser light is emitted through this window to read bar codes.
2	Mini USB connector	Used to connect a dedicated USB cable for charging & data communication
3	Trigger Key	A trigger key used to read bar codes
4	Function Key	A function key that can be configured with application
5	LED	Indicator of operating status, such as bar code reading and warnings
6	Buzzer Hole	Sound from a built-in buzzer comes out through these holes.
7	Strap Hole	A hole to attach a hand strap

## 5. Optical Specifications

### 5.1. Laser Scanning Specifications

Item		Characteristics	Unit
Light-Emitting Element		Red laser diode	-
Emission Wavelength		650 ±10 (25° C)	nm
Light Output		1.0 or less	mW
Scanning Method		Bi-directional scanning	-
Scanning Speed		100 ±20	scans/sec
Scan Angle	Scan Angle	54 ±5	deg
	Read angle	44 (Min)	deg

**Notes:**

Refer to “Technical Specifications,” to read about scanning performance.

### 5.2. Laser Scanning Standards

#### 5.2.1. Laser Scanning Tilt

Vertical differences between both ends of a laser scanning line:

- Up to 0.92 degrees in a vertical direction from the scan origin (scanning mirror).
- Up to 2.46 mm measured at 150 mm from the scan origin and with zero skew angle.
- Measured in the middle of the scan line.

#### 5.2.2. Laser Scanning Curvature

The maximum differences between the laser scanning line and a straight line connecting the both ends of the scanning line:

- Up to 1.17 degrees from the scan origin (scanning mirror).
- Up to 3.06 mm measured at 150 mm from the scan origin with zero skew angle.
- Measured in the middle of the scan line.

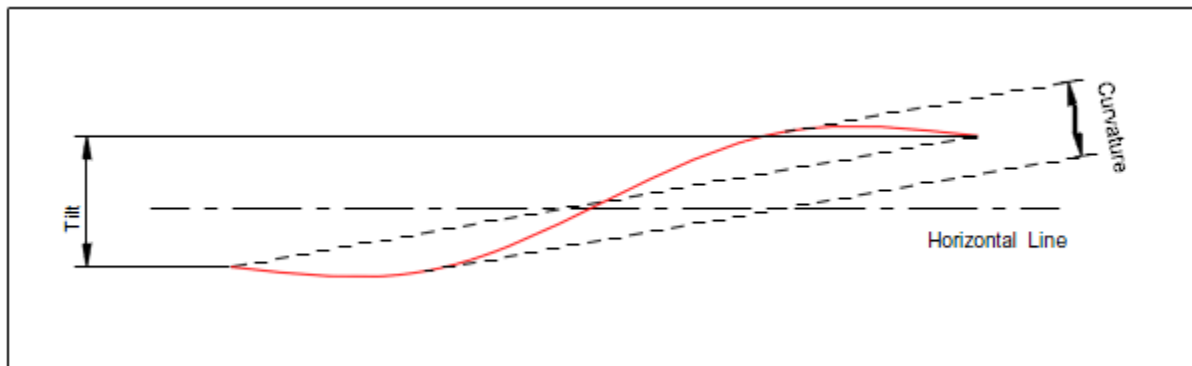


Figure 2: Laser Scanning Tilt and Curvature

## 6. Technical Specifications Barcode Scanner

The conditions are as follows, unless otherwise specified.

### Conditions

Ambient temperature and humidity:	Room temperature (20° C) Room humidity (45% to 85% RH)
Ambient light:	500 to 900 lx
Background:	Barcode = black Space = white Margin = white Background of label = black
Decoding test:	Approve the performance when decoding is successful in all ten tests. (Decoding is deemed successful when completed in 0.5 seconds or less.)

### 6.1. Print Contrast Signal (PCS)

PSC 0.45 or higher (70% or higher reflectivity of space and quiet zone)

$$\text{PCS} = \frac{\text{Reflectance of white bar} - \text{Reflectance of black bar}}{\text{Reflectance of white bar}}$$

### 6.2. Minimum Resolution

0.127 mm

### 6.3. Supported symbologies:

#### Linear (1D)

JAN/UPC/EAN, incl. add-on  
Codabar/NW-7  
Code 11  
Code 39  
Code 93  
Code 128  
GS1-128 (EAN-128)  
GS1 Databar (RSS)  
IATA  
Industrial 2of5  
Interleaved 2of5  
ISBN-ISMN-ISSN  
Matrix 2of5  
MSI/Plessey

S-Code  
Telepen  
Tri-Optic  
UK/Plessey

#### Postal codes (1D)

Chinese Post  
Korean Postal Authority Code

#### 2D codes

GS1 Composite Codes

### 6.4. Scan Area and Depth of Field

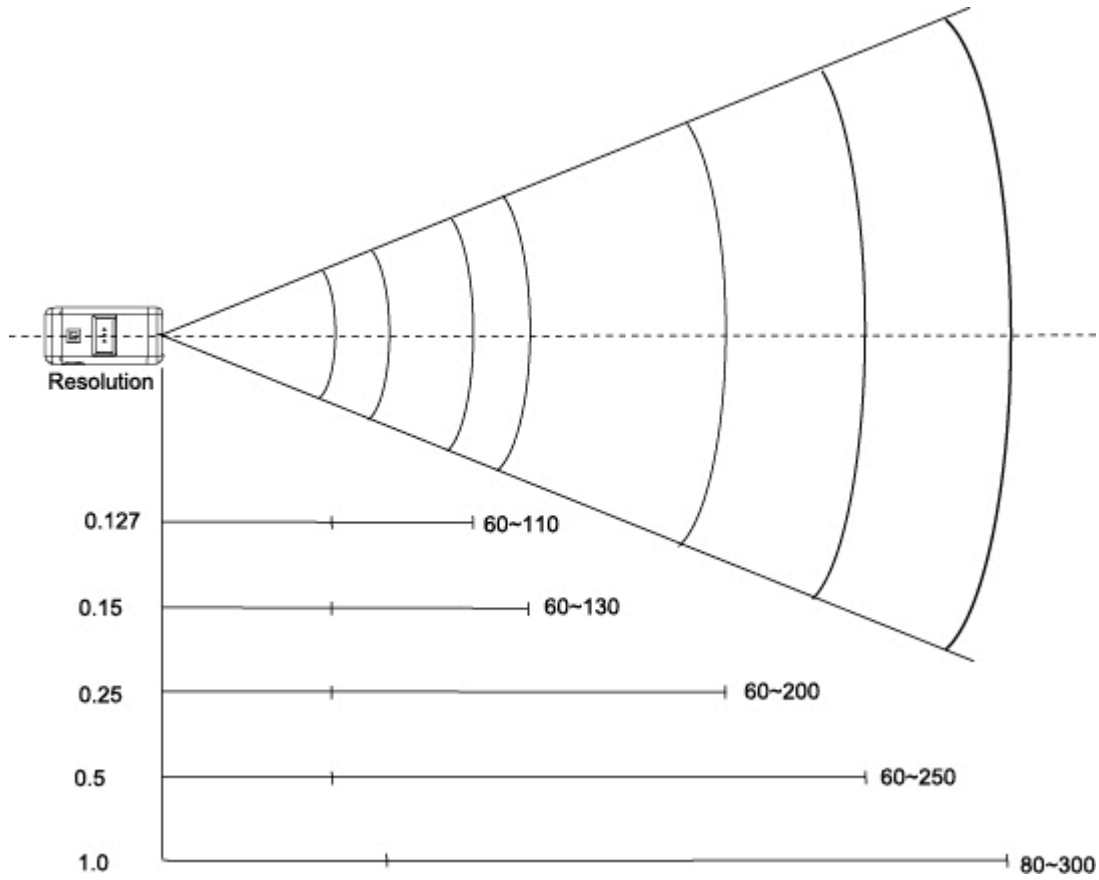


Figure 3: Scan Range and Depth of Field

Resolution	Symbology	PCS	Quiet Zone	No. of Digits
1.0 mm	Code 39	0.9	25 mm	1
0.5 mm	Code 39	0.9	18 mm	3
0.25 mm	Code 39	0.9	10 mm	8
0.15 mm	Code 39	0.9	7 mm	10
0.127 mm	Code 39	0.9	5 mm	4

<Conditions>

Bar Code Sample : Optoelectronics Test Chart, N/W ratio = 1:2.5  
 Angle :  $\alpha = 0^\circ$   $\beta = 15^\circ$   $\gamma = 0^\circ$   
 Curvature :  $R = \infty$

## 6.5. Pitch, Skew, and Tilt

Pitch	: $\alpha \leq \pm 25^\circ$
Skew	: $\beta \leq \pm 40^\circ$ (Excluding dead zone)
Dead Zone	: $\beta \leq \pm 8^\circ$ (Decoding may fail in some areas as a result of specular reflection)
Tilt	: $\gamma \leq \pm 20^\circ$

### Conditions

Bar Code Sample	Optoelectronics Test Sample
Distance	110 mm from the edge of the scan engine <Pitch, Skew and Dead Zone> PCS 0.9, Resolution 0.25 mm, 9-digit Code 39, Quiet Zone 10 mm, N/W Ratio = 1 : 2.5 <Tilt> PCS 0.9, Resolution 0.5 mm, 3-digit Code 39, Quiet Zone 15 mm
Angle	Pitch and Tilt angles calculated with Skew angle $\beta = +15^\circ$ Skew angle / Dead zone: $\alpha = 0^\circ, \gamma = 0^\circ$
Curvature	$R = \infty$

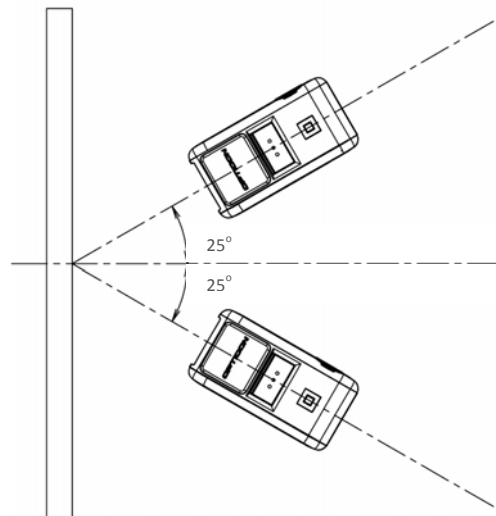


Figure 4: Pitch

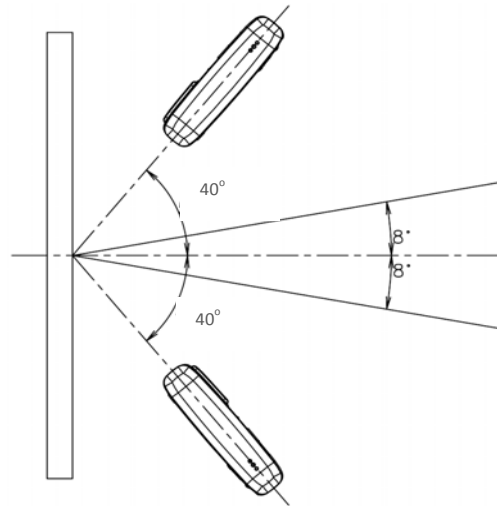


Figure 5: Skew

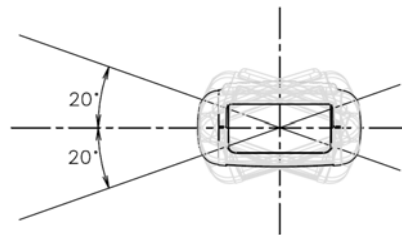


Figure 6: Tilt

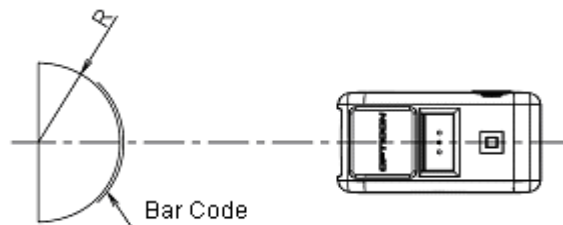
### 6.6. Curvature

With 8-digit JAN/UPC/EAN barcodes, decoding performance is guaranteed when  $R \geq 15$  mm

With 13-digit JAN/UPC/EAN barcodes, decoding performance is guaranteed when  $R \geq 20$  mm

**Conditions**

Bar Code Sample	Optoelectronics Test Sample PCS 0.9, Resolution 0.26 mm, Quiet Zone 10 mm
Distance	96 mm from the edge of the scanner
Angle	Skew angle $\beta = +15$



*Figure 7: Curvature*



## 7. Interface Specifications

### 7.1. USB

#### 7.1.1. Settings

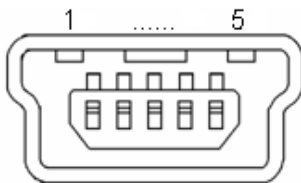
The interface is full-speed USB.

#### 7.1.2. Cable

Dedicated cable with PC connector is provided.

#### 7.1.3. Connector

Mini-USB B Connector



Contact Number	Signal Name
1	VCC
2	-DATA
3	+DATA
4	NC
5	GND

Figure 8: USB B connector

#### 7.1.4. Interface Circuit

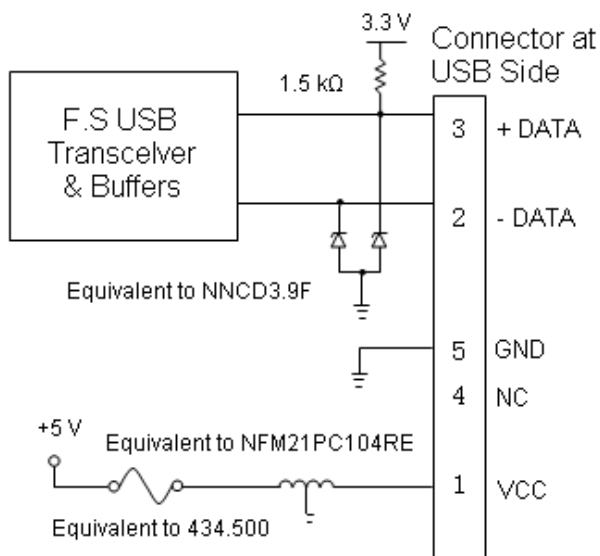




Figure 9: Interface circuit

## 7.2. Bluetooth

### 7.2.1 Module

The OPN-2005 is equipped with a low power fully certified Bluetooth module.

### 7.2.2 Specifications

Bluetooth standard: 2.1

High speed UART interface

Supported profiles: SPP (serial port profile) and HID (keyboard emulation)

## 8. Product Label

The label shown below is attached to the back of the OPN-2005.

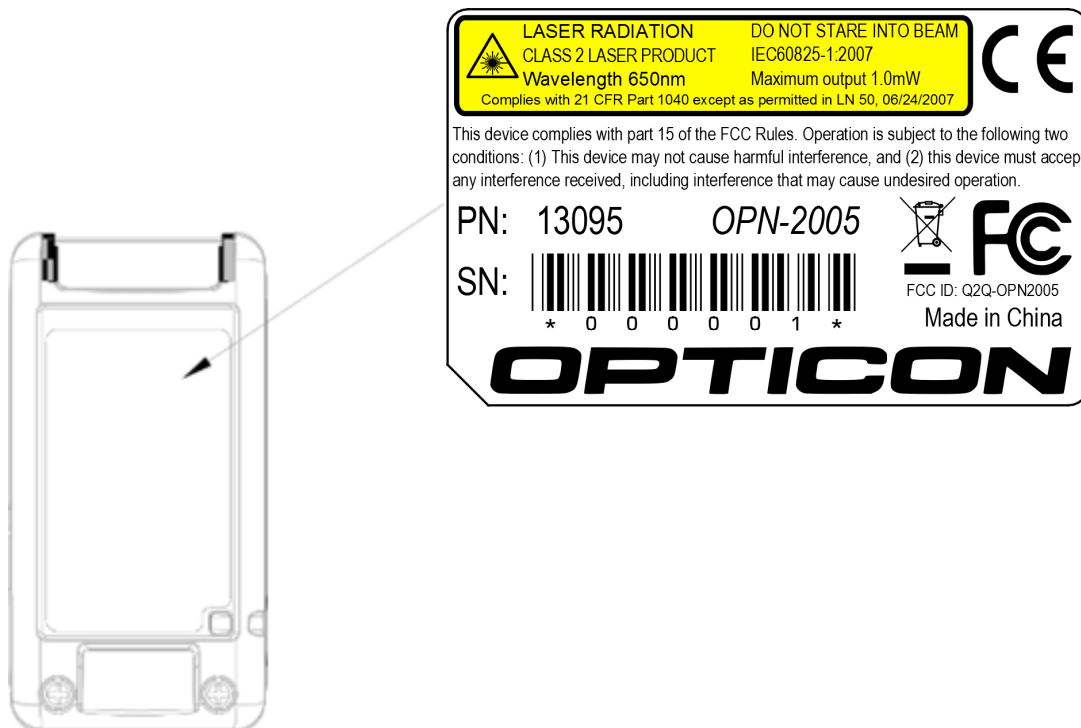
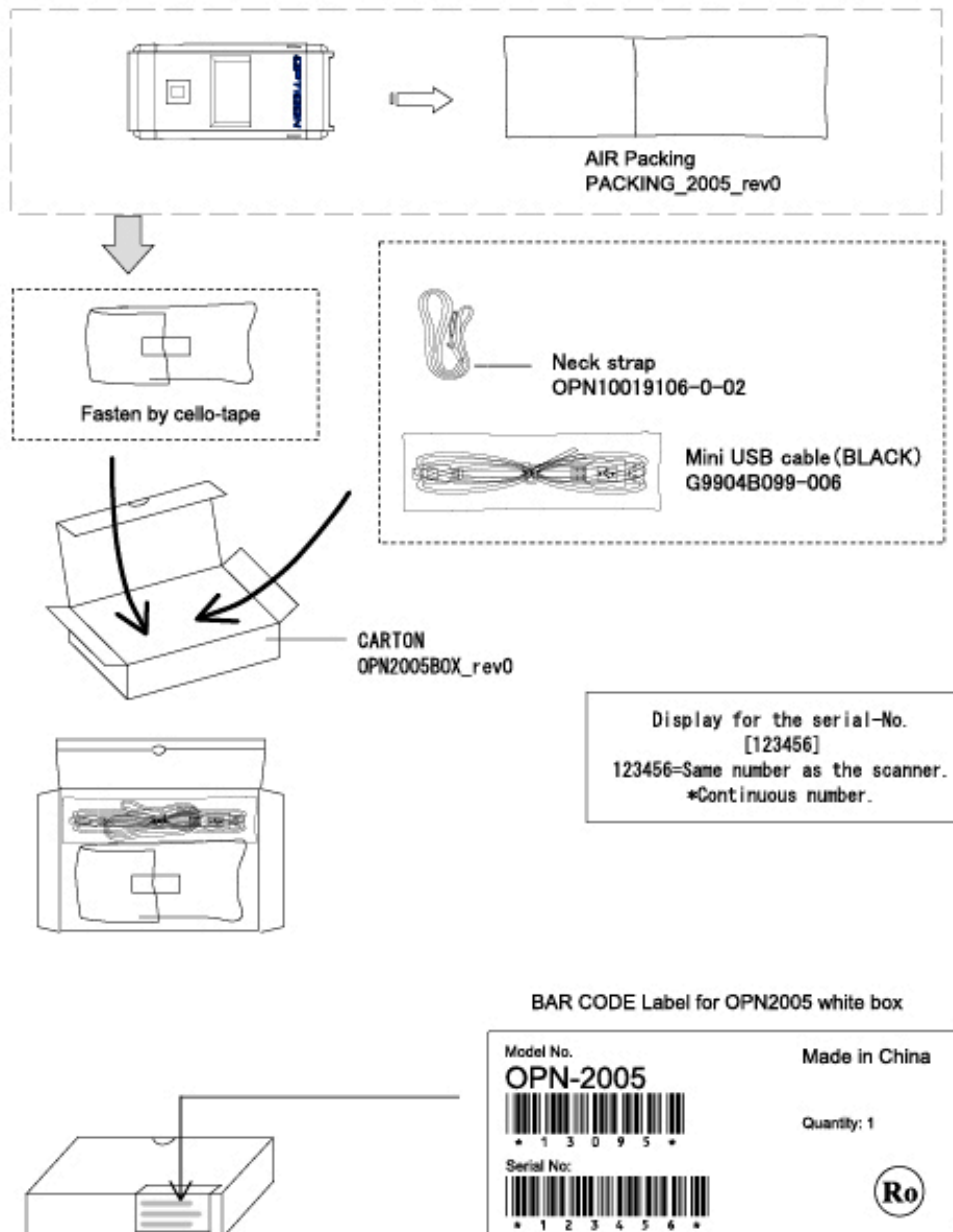


Figure 10: Product & Laser Caution Label

## 9. Packaging Specifications

### 9.1. Individual Packaging Specification

Assembled package size: 125 x 112 x 40 (WDH mm)

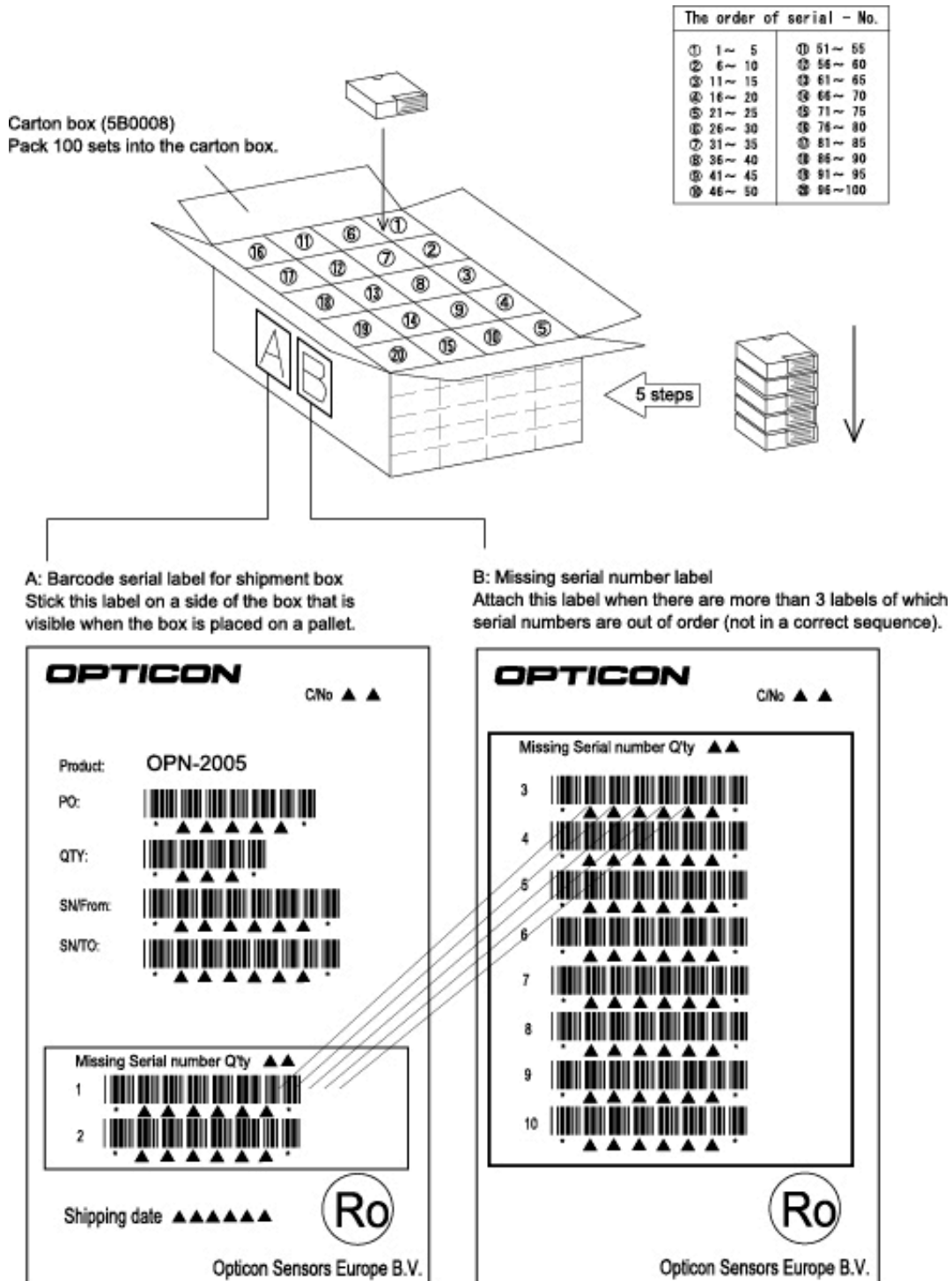


Do not fold at the barcode position when the label is affixed onto the corner of the box.

Figure 11: Individual Packaging

## 9.2. Collective Packaging Specification

Assembled package size: 595 x 520 x 245 (WDH mm), 100 pieces/box



*Figure 12: Collective Packaging*

## 10. Durability

### 10.1. Ambient Light Immunity

Scanning performance is guaranteed when the range of illumination on a barcode surface is the following values.

Incandescent light : 0 ~ 4,000 lx  
 Fluorescent light : 0 ~ 4,000 lx (excluding high-frequency lighting)  
 Sunlight : 0 ~ 80,000 lx

<Conditions>

Barcode Test Sample	OPTOELECTRONICS test chart PCS = 0.9, Resolution 0.25 mm, 9-digit Code 39, Quiet Zone 10 mm, N/W Ratio = 1:2.5
Distance	100 mm from the front edge of the scanner.
Angles	Pitch: $\alpha = 0^\circ$ , Skew: $\beta = 15^\circ$ , Tilt: $\gamma = 0^\circ$
Curvature	$R = \infty$
Power Voltage	3.7 V

\* Be sure that the direct light or specular reflection from the light source does not enter the light receiving section of the OPN-2005.

### 10.2. Vibration Strength (without packing)

There shall be no sign of malfunction after the following vibration test.

**Vibration test:** Increase the frequency of the vibration from 10 Hz to 100 Hz at an accelerated velocity of 19.6 m/s<sup>2</sup> (2.0 G) for 30 minutes (60 minutes for a cycle) in the non-operating state. Repeat this in each X, Y and Z direction.

### 10.3. Vibration Strength (in individual packing)

There shall be no sign of malfunction after the following vibration test.

**Vibration test:** Increase the frequency of the vibration from 10Hz to 100Hz at an accelerated velocity of 19.6 m/s<sup>2</sup> (2.0 G) for 30 minutes (60 minutes for a cycle) in individual packaged state. Repeat this in each X, Y and Z direction.

#### 10.4. Drop Impact Strength (without packaging)

There shall be no sign of malfunction after the following drop test.

**Drop test:** Drop the scanner 3 times (18 times in total), at each 6 face, from a height of 150 cm onto a concrete floor as shown below.

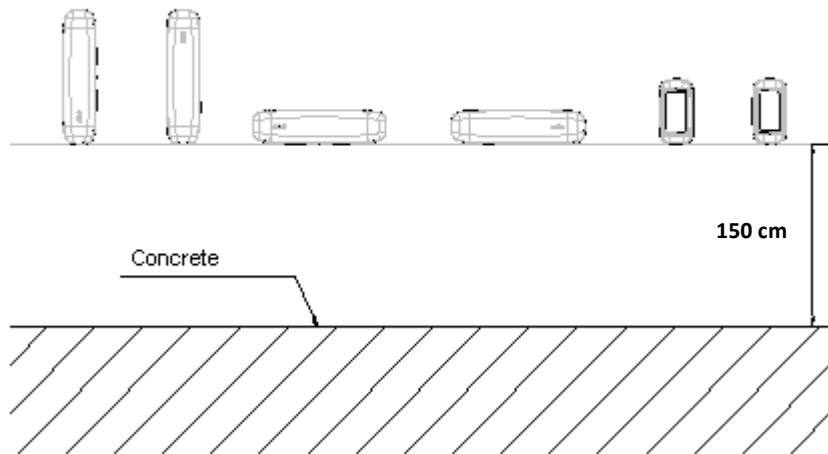


Figure 13: Drop Test

#### 10.5. Electrostatic Discharge Immunity

Air discharge:	8 kV Max. (No malfunction) 15 kV Max. (No destruction)
Contact discharge:	4 kV Max. (No malfunction) [Discharged from the frame of the USB connector.] 10 kV Max. (No destruction)
Measurement environment:	Use electrostatic testing device compliant with IEC 61000-4-2
Discharge resistance:	330 $\Omega$
Capacitor charging:	150 pF

#### 10.6. MTBF

MTBF (Mean Time Between Failures)	30,000 hours (excluding the following parts)
Laser diode :	10,000 hours
Mirror scan unit :	10,000 hours

## 11. Regulatory Compliance

### 11.1. Laser Safety

IEC 60825-1 Ed.2: 2007 Class 2  
CDRH Class II

### 11.2. EMC

EN55022  
EN55024  
FCC Part 15 Subpart B Class B

This device complies with part 15 of the FCC Rules. Operation is subject To the following two conditions: ( 1 ) this device may not cause harmful Interference, and ( 2 ) this device must accept any interference received, including interference that may cause undesired operation.

#### VCCI Class B

This is a Class B product, to be used in a domestic environment, based on the Technical Requirement of the Voluntary Control Council for Interference from Information Technology Equipment (VCCI). If this is used near a radio or television receiver in a domestic environment, it may cause radio interference.

## 12. RoHS

The OPN-2005 is compliant with RoHS.

RoHS: The restriction of the use of certain hazardous substances in electrical and electronic equipment, 2002/95/EC

## 13. Precautions

### 13.1. Precaution against Laser Light

\*Use of controls or adjustments or performance of procedures other than those specified herein may result in hazardous radiation exposure.

Caution - Do not stare into the laser light from a scanning window. It may harm your eyes.  
Do not point the laser directly at others' eyes. It may harm your eyes.  
Do not stare into the beam with optical instruments. It may harm your eyes.

### 13.2. Handling

Handle this product carefully. Do not deliberately subject it to any of the following:

(1) Shock:

- Do not drop this product from a height greater than specified in this manual.
- Do not place this product under or between any heavy items.
- Do not swing this product around holding the hand strap.

(2) Temperature Conditions:

- Do not use this product at temperatures outside the specified range.
- Do not pour boiling water on this product.
- Do not throw this product into a fire.

(3) Foreign Materials:

- Do not immerse this product in water or other liquid.
- Do not expose this product to chemicals.

(4) Others

- Do not disassemble this product.
- Do not use this product near a radio or a TV. It may cause reception problems.
- This product may be affected by a momentary voltage drop caused by lightning.
- This product may not perform properly in a place where it will be subjected to a flickering light, such as a CRT (computer monitor, television, etc.).

\* This specification manual is subject to change without prior notice.



Appendix 1: Mechanical Drawing

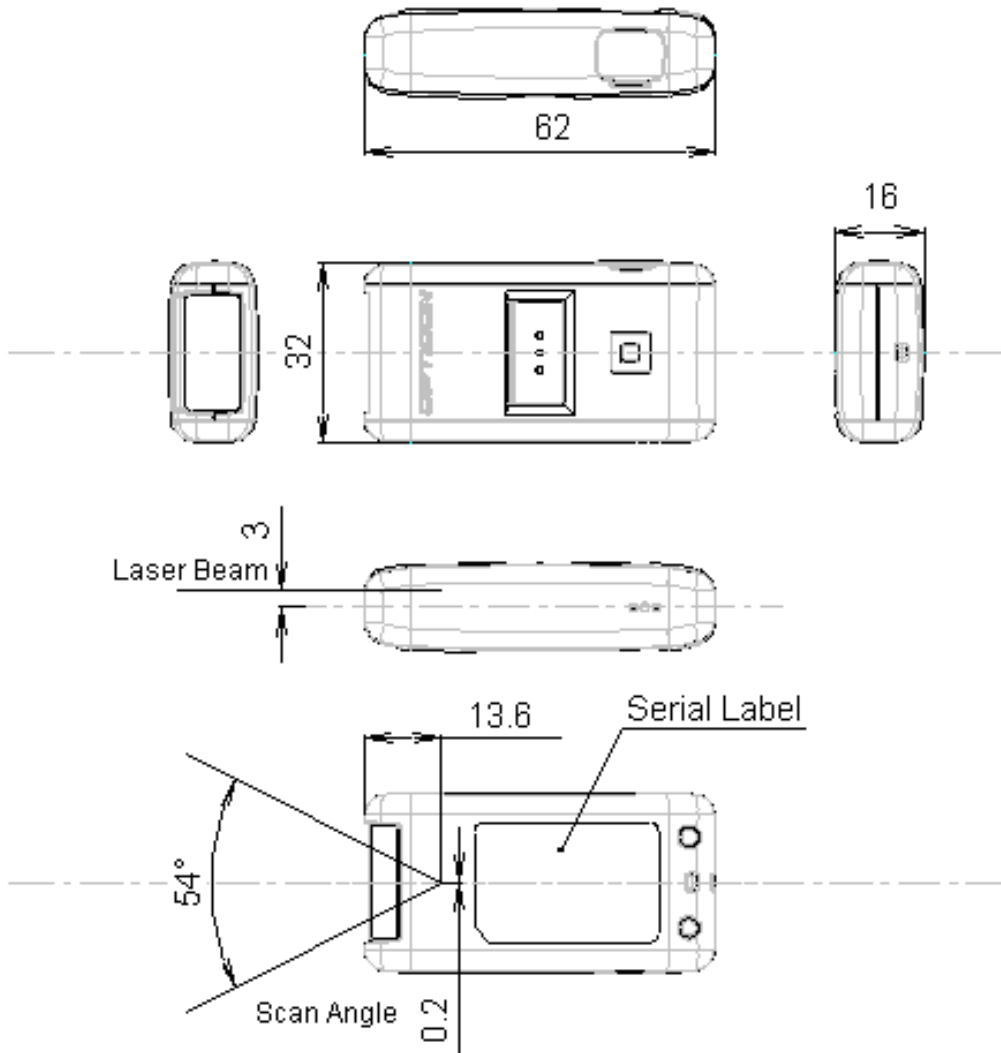


Figure 14: Mechanical Drawing